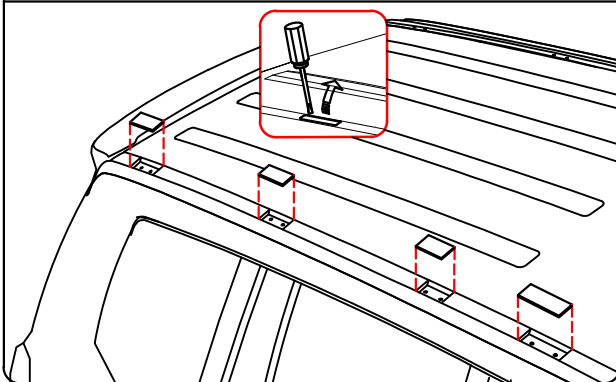




TLC VX200 103268

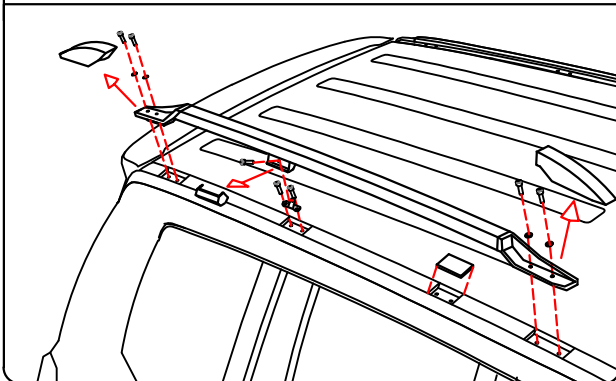
**VX200 without Factory Roof Rails**

Remove all eight original fixing point plastic cover, handle with care.

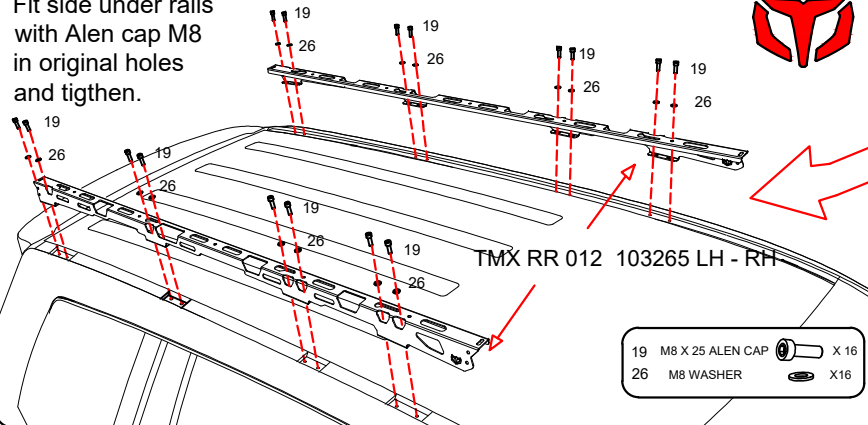


**VX200 with Factory Roof Rails**

- Remove leg covers.
- Remove original bolts with care.
- Remove fixing point plastic cover.



Fit side under rails with Alen cap M8 in original holes and tighten.

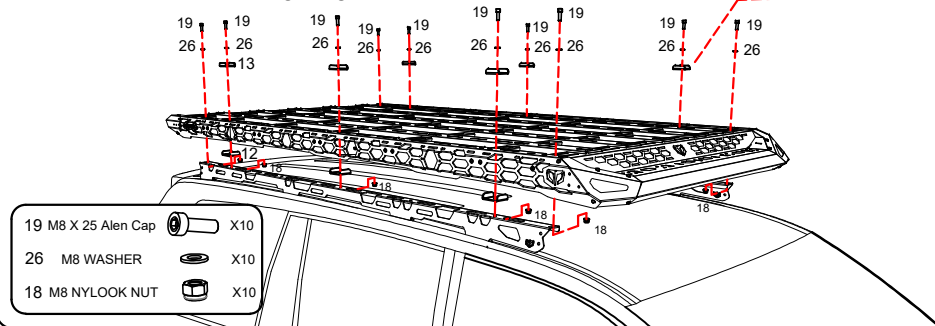


- 19 M8 X 25 ALLEN CAP X 16
- 26 M8 WASHER X 16

1- Use SEALANT around all roof holes before place brackets to protect and seal.

2- Clean the sealant excess after placement of roof - brackets.

After under rails have been fitted, place roof rack up to side under rails brackets, and fasten as per following diagram



- 19 M8 X 25 Alen Cap X 10
- 26 M8 WASHER X 10
- 18 M8 NYLOOK NUT X 10

TMX RR 011 B X 6

13

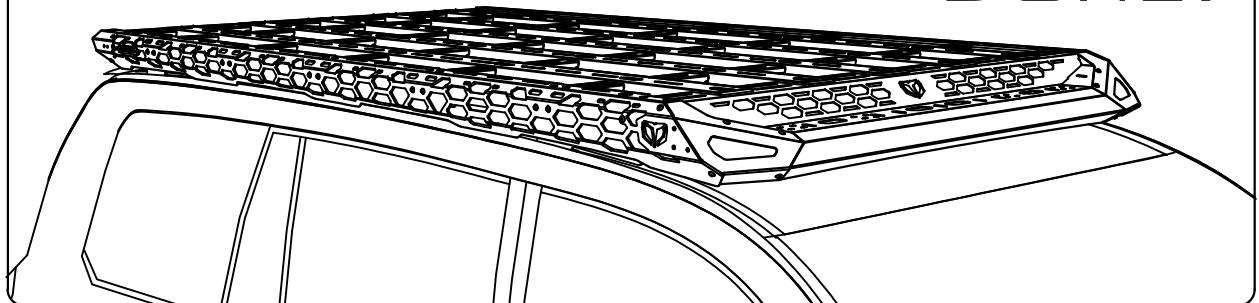
ROOF RACK SIDE RAIL BRACKETS

18

TMX RR 011 A X 6

12

Tighten all M8 Allen cap bolts and M8 nuts using 6mm Allen key and 13mm Wrench.



**DONE!**