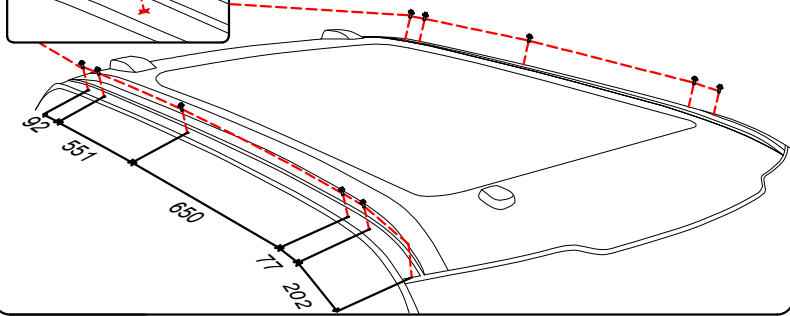


Remove the original bolts using as a reference measurements according to the diagram below and review with brackets.



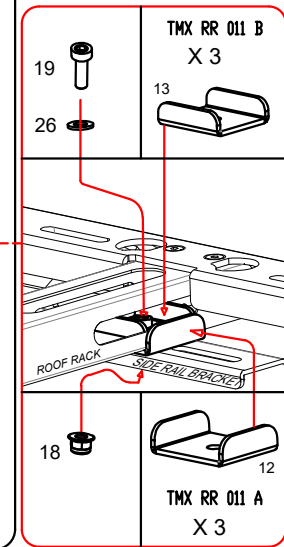
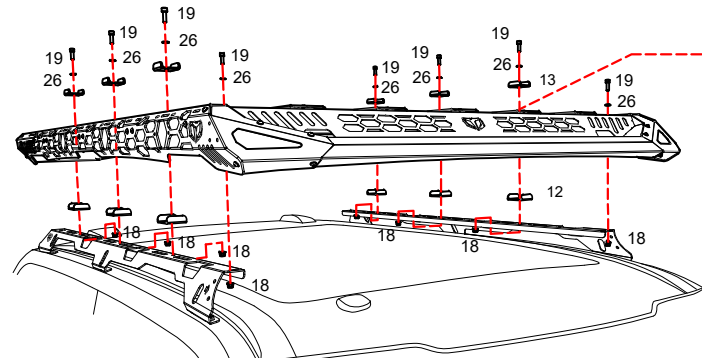
FORD F250 / F150 103267



TMX RR 103263 BRACKET BOLT KIT

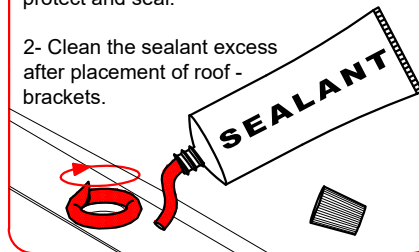
Item N°	Part	Description	Qty
18	M8 1.25 flange nylock nut		8
19	M8 1.25 X 25 Allen cap		8
26	M8 washer		8
21	M5 X 25 Hex.		10

19	M8 X 25 Allen Cap		X 8
26	M8 Washer		X 8
18	M8 Nylock Flange nut		X 8

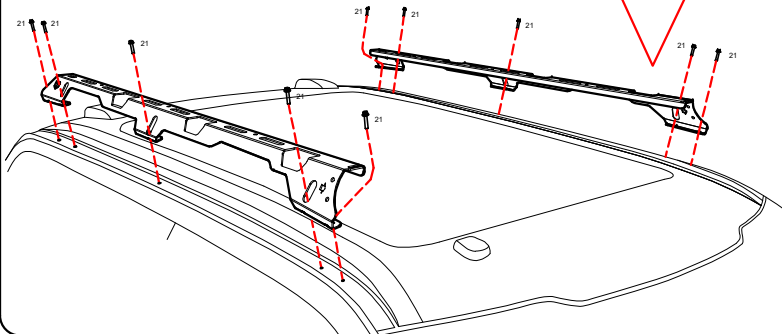


Fit side under rails with Allen cap M8 in original holes and tighten.

- 1- Use SEALANT around all roof holes before place brackets to protect and seal.
- 2- Clean the sealant excess after placement of roof - brackets.



21 M5 X 25 Hex. X10



Tighten all M8 Allen cap bolts and M8 nuts using 6mm Allen key and 13mm Wrench.



DONE!

